



# Anthony Replacement Door Questionnaire

Bill to Company Name: \_\_\_\_\_

Contact Name: \_\_\_\_\_ E-mail: \_\_\_\_\_

Phone #: \_\_\_\_\_ Ext.: \_\_\_\_\_ Fax: \_\_\_\_\_

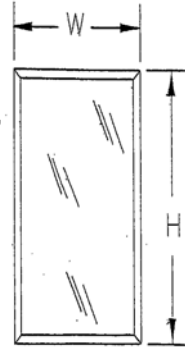
1. Anthony door W/O #: \_\_\_\_\_  
(May be on a label on top/bottom of the door.)

2. Outside dimensions of the door: Width \_\_\_\_\_" \_\_\_\_\_" X Height \_\_\_\_\_" \_\_\_\_\_"  
(The height and width of the door needs to be measured to the closest 1/16 of an inch. Example 29"7/8" x 65"1/16")

3. Manufacturer of case: \_\_\_\_\_

4. Model of Door: \_\_\_\_\_

5. Date the door was manufactured: \_\_\_\_\_  
(This information may be found between the panes of glass on the metal spacer or on the door label.)



6. Where is the gasket mounted? :  Door  Frame

7. Door type:  Freezer  Cooler

8. Number of glass panes?  2  3

9. Glass type:  heated  non-heated

10. Door rail color:  Silver (chrome)  Black  Gold  Satin Silver

11. Door rail finish:  Smooth  Serrated

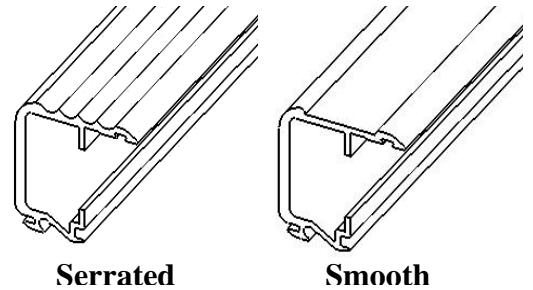
12. Door rail width:  Wide (1 3/4")  Narrow (1 5/16")

13. Door hinge: (from the customer's side)  Left  Right

14. Color of handle \_\_\_\_\_, style and Insert:  Slimline  Trimline  Full Length  Other \_\_\_\_\_

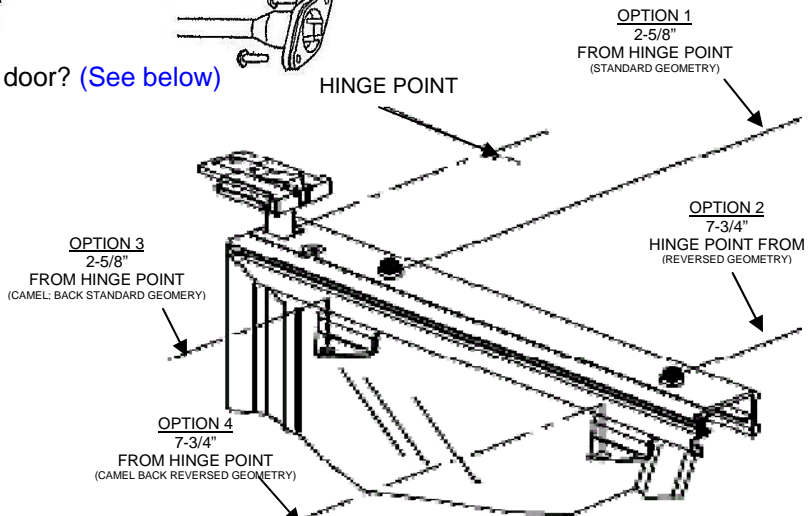
15. Torque rod:  Round  Hex

16. Top Hinge:  Hinge pin  One screw S-J cord  Two screw S-J cord



17. Where does the hold-open arm attach on the door? (See below)

- OPTION 1- SURFACE STANDOFF STD. GEO.  
(TOP OF THE DOOR RAIL 3" AWAY FROM THE HINGE PIN)
- OPTION 2- SURFACE STANDOFF REV. GEO.  
(TOP OF THE DOOR RAIL 7" AWAY FROM THE HINGE PIN)
- OPTION 3- CAMEL BACK STD. GEO.  
(BOTTOM OF THE GASKET 3" AWAY FROM THE HINGE PIN)
- OPTION 4- CAMEL BACK REV. GEO.  
(BOTTOM OF THE GASKET 7" AWAY FROM THE HINGE PIN)



**ANTHONY INTERNATIONAL**  
12391 Montero Avenue, Sylmar, CA 91342  
(800) 772-0900 Phone (818) 837-4955 Fax, (818) 365-5341 Fax  
[parts@anthonyintl.com](mailto:parts@anthonyintl.com)